

STX™ Air Spray Trigger Gun

3A6746D

EN

For portable spraying of water-based materials. Can be used for application of solvent-based materials only when solvent compatible seals are installed and solvent compatible, conductive hoses are used. For professional use only.

Not approved for use in European explosive atmosphere locations.

Model 17Y910

Requires up to 30 SCFM (0.83 m³/min) air

1000 psi (7.0 MPa, 70 bar) Maximum Working Pressure

125 psi (0.9 MPa, 9 bar) Maximum Air Working Pressure

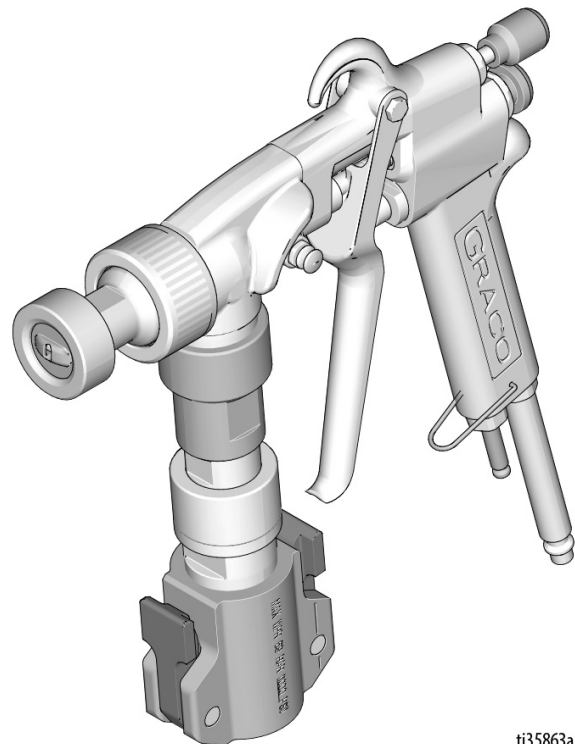


Important Safety Instructions

Read all warnings and instructions in this manual and in the T-Max operation manual before using the equipment. Save these instructions.

Related Manuals:

3A6748	T-Max Operation, Repair, Parts
--------	--------------------------------













ti35863a







Warnings


The following warnings are for the setup, use, grounding, maintenance, and repair of this equipment. The exclamation point symbol alerts you to a general warning and the hazard symbols refer to procedure-specific risks. When these symbols appear in the body of this manual or on warning labels, refer back to these Warnings. Product-specific hazard symbols and warnings not covered in this section may appear throughout the body of this manual where applicable.

 WARNING	
   	<p>FIRE AND EXPLOSION HAZARD</p> <p>Flammable fumes, such as solvent and paint fumes, in work area can ignite or explode. Paint or solvent flowing through the equipment can cause static sparking. To help prevent fire and explosion:</p> <ul style="list-style-type: none"> • Use equipment only in well-ventilated area. • Eliminate all ignition sources; such as pilot lights, cigarettes, portable electric lamps, and plastic drop cloths (potential static sparking). • Ground all equipment in the work area. • Never spray or flush solvent at high pressure. • Keep work area free of debris, including solvent, rags and gasoline. • Do not plug or unplug power cords, or turn power or light switches on or off when flammable fumes are present. • Use only grounded hoses. • Hold gun firmly to side of grounded pail when triggering into pail. Do not use pail liners unless they are anti-static or conductive. • Stop operation immediately if static sparking occurs or you feel a shock. Do not use equipment until you identify and correct the problem. • Keep a working fire extinguisher in the work area.
    	<p>SKIN INJECTION HAZARD</p> <p>High-pressure fluid from gun, hose leaks, or ruptured components will pierce skin. This may look like just a cut, but it is a serious injury that can result in amputation. Get immediate surgical treatment.</p> <ul style="list-style-type: none"> • Do not point gun at anyone or at any part of the body. • Do not put your hand over the spray tip. • Do not stop or deflect leaks with your hand, body, glove, or rag. • Follow the Pressure Relief Procedure when you stop spraying and before cleaning, checking, or servicing equipment. • Tighten all fluid connections before operating the equipment. • Check hoses and couplings daily. Replace worn or damaged parts immediately.

WARNING

 	<p>EQUIPMENT MISUSE HAZARD Misuse can cause death or serious injury.</p> <ul style="list-style-type: none"> • Do not operate the unit when fatigued or under the influence of drugs or alcohol. • Do not exceed the maximum working pressure or temperature rating of the lowest rated system component. See Technical Specifications in all equipment manuals. • Use fluids and solvents that are compatible with equipment wetted parts. See Technical Specifications in all equipment manuals. Read fluid and solvent manufacturer's warnings. For complete information about your material, request Safety Data Sheets (SDSs) from distributor or retailer. • Do not leave the work area while equipment is energized or under pressure. • Turn off all equipment and follow the Pressure Relief Procedure when equipment is not in use. • Check equipment daily. Repair or replace worn or damaged parts immediately with genuine manufacturer's replacement parts only. • Do not alter or modify equipment. Alterations or modifications may void agency approvals and create safety hazards. • Make sure all equipment is rated and approved for the environment in which you are using it. • Use equipment only for its intended purpose. Call your distributor for information. • Route hoses and cables away from traffic areas, sharp edges, moving parts, and hot surfaces. • Do not kink or over bend hoses or use hoses to pull equipment. • Keep children and animals away from work area. • Comply with all applicable safety regulations.
	<p>PRESSURIZED ALUMINUM PARTS HAZARD Use of fluids that are incompatible with aluminum in pressurized equipment can cause serious chemical reaction and equipment rupture. Failure to follow this warning can result in death, serious injury, or property damage.</p> <ul style="list-style-type: none"> • Do not use 1,1,1-trichloroethane, methylene chloride, other halogenated hydrocarbon solvents or fluids containing such solvents. • Do not use chlorine bleach. • Many other fluids may contain chemicals that can react with aluminum. Contact your material supplier for compatibility.
	<p>PERSONAL PROTECTIVE EQUIPMENT Wear appropriate protective equipment when in the work area to help prevent serious injury, including eye injury, hearing loss, inhalation of toxic fumes, and burns. Protective equipment includes but is not limited to:</p> <ul style="list-style-type: none"> • Protective eyewear, and hearing protection. • Respirators, protective clothing, and gloves as recommended by the fluid and solvent manufacturer.

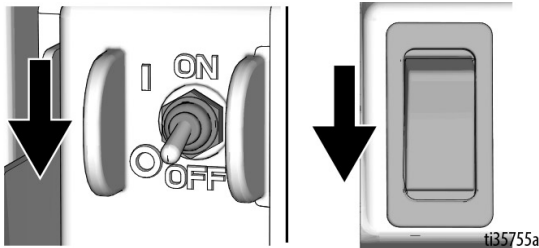
Pressure Relief Procedure

 Follow the Pressure Relief Procedure whenever you see this symbol.

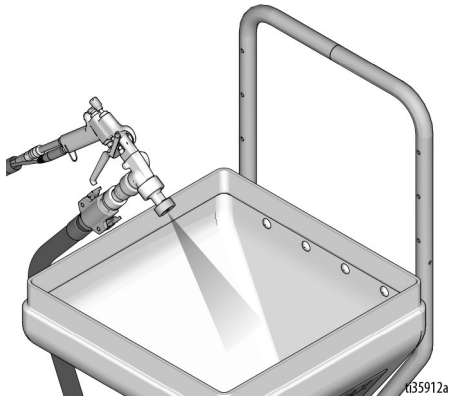


This equipment stays pressurized until pressure is manually relieved. To help prevent serious injury from pressurized fluid, such as skin injection, splashing fluid and moving parts, follow the Pressure Relief Procedure when you stop spraying and before cleaning, checking, or servicing the equipment.

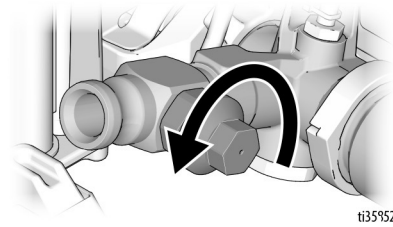
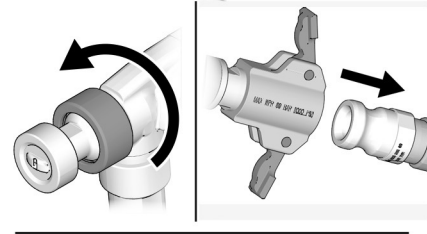
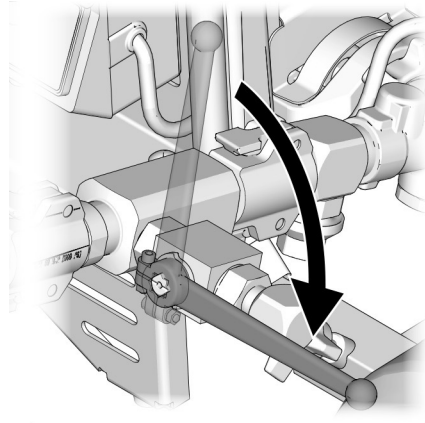
1. Turn ON/OFF switch OFF and turn pressure control knob fully counterclockwise to OFF position.



2. Point applicator into hopper. Turn applicator ON.



3. If you suspect the spray tip or hose is clogged or that pressure has not been fully relieved:
 - a. If installed, turn prime valve down to prime position.
 - b. VERY SLOWLY loosen the retaining ring (3), hose end coupling (41), or pressure relief valve on the sprayer to relieve pressure gradually.



- c. Loosen the nut or coupling completely.
- d. Clear the obstruction in the hose or tip.

NOTE: If pressure relief valve was used to relieve pressure, be sure to disassemble and clean thoroughly.

Flush the Equipment (Solvent-Based Materials)



To avoid fire and explosion, always ground equipment and waste container. To avoid static sparking and injury from splashing, always flush at the lowest possible pressure.

- Flush before changing materials, before fluid can dry or cure in the equipment, at the end of the day, before storing, and before repairing equipment.
 - Flush with a fluid that is compatible with the fluid being dispensed and the equipment wetted parts.
 - Flush at the lowest pressure possible. Check connectors for leaks and tighten as necessary.
 - Do not leave the gun or any parts in water or cleaning solvents.
1. Follow **Pressure Relief Procedure**, page 4.
 2. Remove nozzle or disk by loosening retaining ring (3).
 3. Remove air control valve (12) and clean all residue from air passages.
 4. Hold a metal part of the gun firmly to a grounded metal pail. Trigger the gun until clean solvent dispenses.
 5. Store in a dry location.

Setup

Connect Gun to Sprayer

1. Attach material hose to sprayer fluid outlet. Attach air hose to air compressor.
2. Connect signal wire, then air hose and material hose, tightening securely.

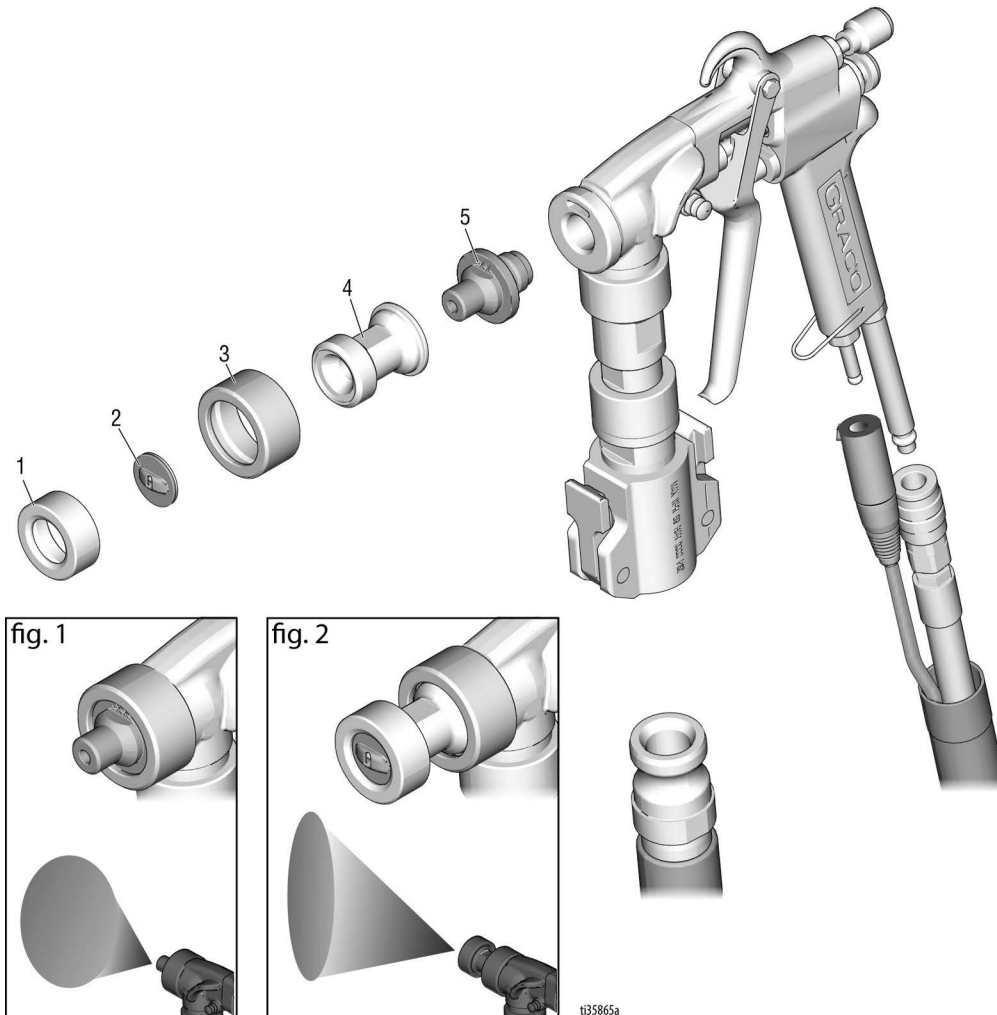
NOTE: When disconnecting signal wire, press and slide down the red tab on the connector.



Install Nozzle

1. If equipment has recently been operated, **Pressure Relief Procedure**, page 4.
2. For a round pattern, install round nozzle (5) and tighten threaded retaining ring (3) as shown in Fig 1.
3. For a flat pattern, remove retaining ring (3). Place adapter housing (4) over round nozzle (5) and secure with threaded retaining ring (3). Install disk (2) and secure with retaining nut (1). See Fig 2.

NOTE: See sprayer Operation manual for instructions on how to start and prime sprayer.



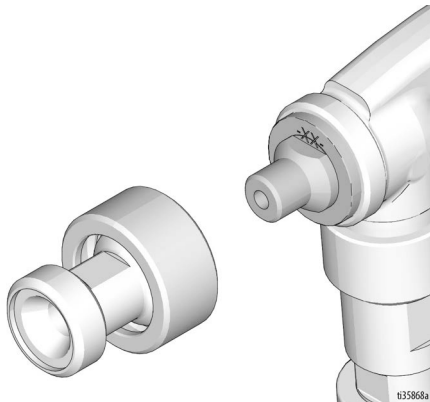
Operation

Adjust Spray Pattern

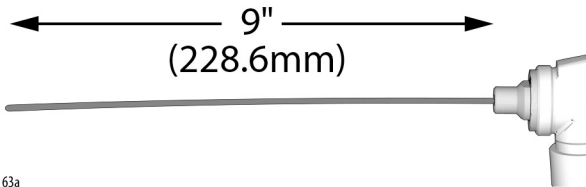


NOTE: See T-Max Operation Manual for more details.

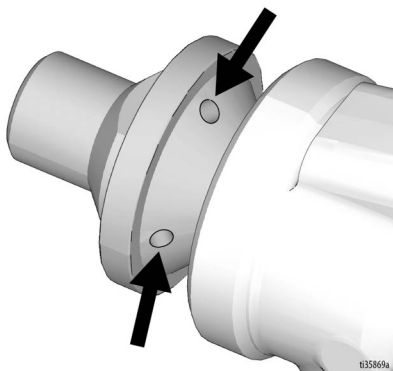
1. Remove spray disk and adaptor and rings so only the nozzle is left on the front of the gun.



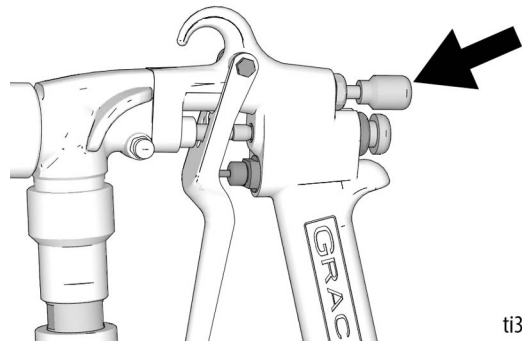
2. Turn applicator ON and adjust sprayer to determine fluid flow and pressure. A good starting point is to adjust fluid flow until you have an 9 in. (20 cm) stream.



3. Clean off any material that oozed out of the air holes in the round nozzle.

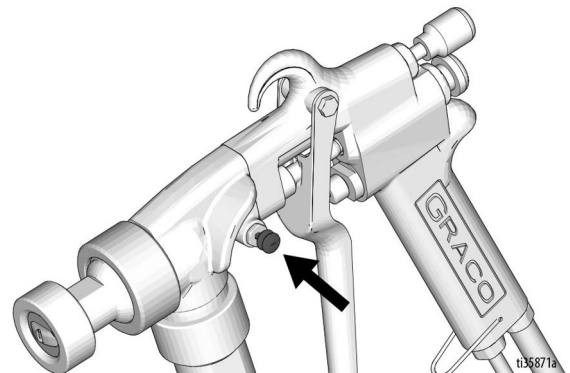


4. Attach spray disk, adapter, and hand-tighten rings. Hold gun 18 to 30 in. (0.5 to 0.8 m) from a test surface and turn on air needle valve to allow air to atomize fluid. Test spray pattern.
5. Adjust air needle valve to achieve desired spray pattern. **NOTE:** More fluid flow = more air; Less fluid flow = less air.



ti35870a

6. If the desired spray pattern cannot be achieved, try adjusting air pressure or try another spray disk and nozzle combination.
7. When done spraying, release trigger. The fluid passage will stay open, relieving pressure. Pressure is relieved when fluid stops flowing.
8. When pressure is relieved, press trigger stop button to close fluid passage.



ti35871a

Cleanup

Thoroughly flush STX spray trigger gun after each work session before fluid begins to cure in gun. Store in a dry location. Do not leave the applicator or any parts in water or cleaning solvents.

Fluid Nozzle and Spray Disc Selection

Six spray disks and five nozzles are supplied with the sprayer. These parts can be interchanged to produce a pattern suitable for each job. Use the chart below to help determine the right combination for your application.

Application	WideTex™ Disc	Nozzle (mm)	Air Volume
	Hardened		
Simulated Acoustic - Fine	W6H	4	high
- Medium	W8H	6	high
- Course	W10H	8- 10	high
Fog	W4H	4	high
Orange peel	W4H or W6H	4 - 8	medium to high
Splatter coat	W6H or W8H	6 - 10	low to medium
Knockdown	W6H or W8H	6 - 8	low

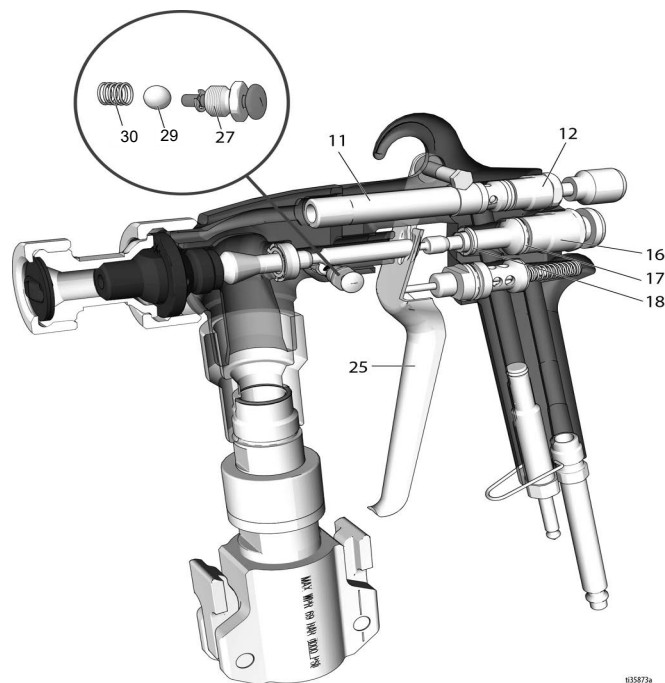
Helpful Hints

- A spraying distance of 18 to 30 in. (0.5 to 0.8 m) is recommended for most applications.
- Keep the gun triggered and moving as much as possible.
- Set gun trigger latch to hold trigger open and reduce operator fatigue on large surface areas.
- Simulated acoustic material with polystyrene texture compresses easily so system pressure builds up more slowly.
- When spraying elastomerics, maintain a wet edge. Spray vertical passes followed by horizontal passes. Then hold the gun further away and “dust” the area to blend the pattern.
- To spray ceilings as high as 9 to 12 ft (3 to 4 m) without using stilts or scaffolding, use more pressure and open gun Air Needle Valve more to project material onto ceiling.
- Check material consistency periodically. The material may thicken as it sits and slow down production. Check and thin material as needed to maintain proper consistency.
- Relieve pressure fully before closing fluid passage when spraying aggregate material. Aggregate material under pressure has a high risk of causing packout in the gun.
- When not spraying for extended periods of time, perform **Pressure Relief Procedure**, page 4.

Maintenance

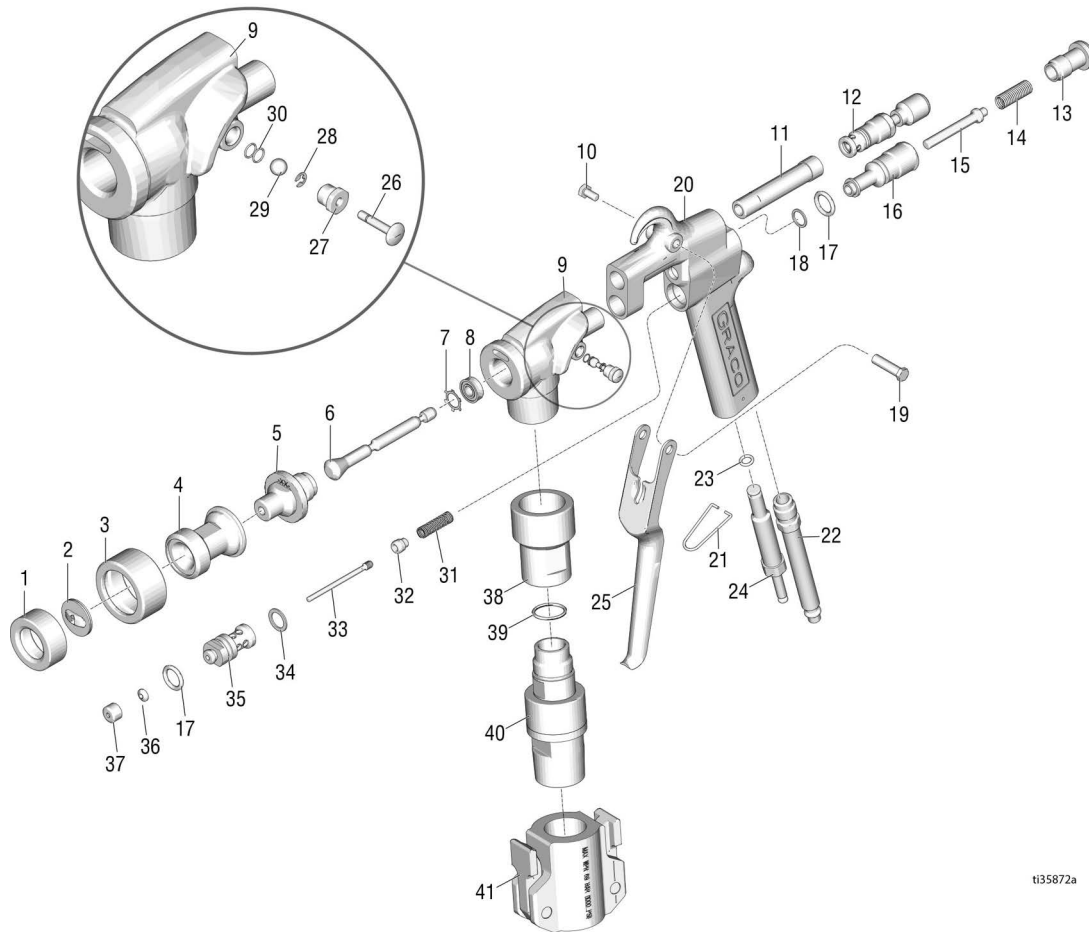


1. Perform **Pressure Relief Procedure**, page 4.
2. Remove disk and nozzle assembly.
3. Remove trigger (25).
4. Unscrew air control valve (12) and clean.
5. Use a 3/8 in. hex key wrench to unscrew head bolt (11).
6. Unscrew spring and valve guide (16). Remove o-ring (18) and gasket (17).
7. Using a 3/8 socket, remove trigger stop bushing (27), ball bearing (29), and trigger stop spring (30). Inspect bore and remove any material build up.
8. Clean and inspect all parts. Replace worn or damaged parts.
9. Lubricate all packings, o-rings and moving parts. Reassemble the gun.



135873a

Parts 17Y910



t135872a

Ref.	Part	Description	Qty.	Ref.	Part	Description	Qty.
1	17Y924	NUT, retaining	1	17	156082	O-RING	2
2		SPRAY TIP DISKS		18	150925	GASKET, copper	1
	24S114	TIP, disk, spray, W4, hardened	1	19	203953	LOCKSCREW, trigger	1
	24S115	TIP, disk, spray, W6, hardened	1	20	17Y911	BODY, gun	1
	24S116	TIP, disk, spray, W8, hardened	1	21	160215	LATCH, trigger	1
	24S117	TIP, disk, spray, W10, hardened	1	22	17Y938	ADAPTER, air inlet	1
	24S118	TIP, disk, spray, W12, hardened	1	23	156454	O-RING	1
	24S119	TIP, disk, spray, WXL, hardened	1	24	17Y915	SWITCH, reed, cartridge	1
3	17Y931	RING, retaining	1	25	17Z346	TRIGGER	1
4	17Y923	HOUSING, adapter	1	26†	17Y927	BUTTON, trigger stop	1
5		GUN ROUND NOZZLE (all sizes included)		27†	17Y926	BUSHING, trigger stop	1
	17Z563	NOZZLE, gun, 4mm	1	28†	U29029	RING, retaining	1
	17Z564	NOZZLE, gun, 6mm	1	29†	101956	BALL, bearing	1
	17Z565	NOZZLE, gun, 8mm	1	30†	17Y929	SPRING, trigger stop	1
	17Z566	NOZZLE, gun, 10mm	1	31	161319	SPRING, air valve	1
	17Z567	NOZZLE, gun, 12mm	1	32	177139	POPPET, valve	1
6	17Y925	VALVE, stem	1	33	169643	STEM, air valve	1
7	119343	RING, retaining, threaded	1	34	160910	GASKET, non-metalic	1
8	17Z163	SEAL, u-cup	1	35	160229	SEAT, air valve	1
9	17Y914	BODY, spray gun, front	1	36	160240	PACKING, air valve stem	1
10	160217	PIN, pivot	1	37	160228	NUT, packing, air valve stem	1
11	160233	BOLT	1	38	17Y919	ADAPTER, swivel	1
12	17Z413	KIT, air control valve	1	39	124796	O-RING	1
13	160231	SCREW, fluid valve regulating	1	40	17Y920	SWIVEL, assembly	1
14	111966	SPRING, fluid valve	1	41	289874	COUPLER, female	1
15	160227	ROD, push, fluid valve	1				
16	160232	GUIDE, spring and valve	1				

† Included in Trigger Stop Repair Kit 18F611

Technical Data

..... STX Trigger Gun		
	US	Metric
Maximum Air Working Pressure	125 psi	0.9 MPa, 9 bar
Air Requirements	30 scfm	0.84 m ³ /min
Fluid Inlet Size	1" npt(m)	
Air Inlet Size	1/4 in. QD	6.35mm QD
Wetted Parts	Aluminum, Stainless Steel, Steel, viton, Nylon	Aluminum, Stainless Steel, Steel, viton, Nylon
..... Sound Data (gun only):		
Sound Pressure Level	96dB(A)*	96dB(A)*
Sound Power	104dB(A)*	104dB(A)*
<i>*Spraying simulated acoustical texture under typical conditions as specified by the material manufacturer.</i>		
..... Dimensions:		
Weight (dry, without packaging)	3.65 lb	1656 g
Height	12.0 in.	30.5 cm
Length	10.0 in.	26.5 cm
Width	2.0 in.	4.3 cm

Sound pressure measured 1.6 feet (0.5 meter) from equipment.
 Sound power measured per ISO-3744.

Graco Standard Warranty

Graco warrants all equipment referenced in this document which is manufactured by Graco and bearing its name to be free from defects in material and workmanship on the date of sale to the original purchaser for use. With the exception of any special, extended, or limited warranty published by Graco, Graco will, for a period of twelve months from the date of sale, repair or replace any part of the equipment determined by Graco to be defective. This warranty applies only when the equipment is installed, operated and maintained in accordance with Graco's written recommendations.

This warranty does not cover, and Graco shall not be liable for general wear and tear, or any malfunction, damage or wear caused by faulty installation, misapplication, abrasion, corrosion, inadequate or improper maintenance, negligence, accident, tampering, or substitution of non-Graco component parts. Nor shall Graco be liable for malfunction, damage or wear caused by the incompatibility of Graco equipment with structures, accessories, equipment or materials not supplied by Graco, or the improper design, manufacture, installation, operation or maintenance of structures, accessories, equipment or materials not supplied by Graco.

This warranty is conditioned upon the prepaid return of the equipment claimed to be defective to an authorized Graco distributor for verification of the claimed defect. If the claimed defect is verified, Graco will repair or replace free of charge any defective parts. The equipment will be returned to the original purchaser transportation prepaid. If inspection of the equipment does not disclose any defect in material or workmanship, repairs will be made at a reasonable charge, which charges may include the costs of parts, labor, and transportation.

THIS WARRANTY IS EXCLUSIVE, AND IS IN LIEU OF ANY OTHER WARRANTIES, EXPRESS OR IMPLIED, INCLUDING BUT NOT LIMITED TO WARRANTY OF MERCHANTABILITY OR WARRANTY OF FITNESS FOR A PARTICULAR PURPOSE.

Graco's sole obligation and buyer's sole remedy for any breach of warranty shall be as set forth above. The buyer agrees that no other remedy (including, but not limited to, incidental or consequential damages for lost profits, lost sales, injury to person or property, or any other incidental or consequential loss) shall be available. Any action for breach of warranty must be brought within two (2) years of the date of sale.

GRACO MAKES NO WARRANTY, AND DISCLAIMS ALL IMPLIED WARRANTIES OF MERCHANTABILITY AND FITNESS FOR A PARTICULAR PURPOSE, IN CONNECTION WITH ACCESSORIES, EQUIPMENT, MATERIALS OR COMPONENTS SOLD BUT NOT MANUFACTURED BY GRACO. These items sold, but not manufactured by Graco (such as electric motors, switches, hose, etc.), are subject to the warranty, if any, of their manufacturer. Graco will provide purchaser with reasonable assistance in making any claim for breach of these warranties.

In no event will Graco be liable for indirect, incidental, special or consequential damages resulting from Graco supplying equipment hereunder, or the furnishing, performance, or use of any products or other goods sold hereto, whether due to a breach of contract, breach of warranty, the negligence of Graco, or otherwise.

FOR GRACO CANADA CUSTOMERS

The Parties acknowledge that they have required that the present document, as well as all documents, notices and legal proceedings entered into, given or instituted pursuant hereto or relating directly or indirectly hereto, be drawn up in English. Les parties reconnaissent avoir convenu que la rédaction du présente document sera en Anglais, ainsi que tous documents, avis et procédures judiciaires exécutés, donnés ou intentés, à la suite de ou en rapport, directement ou indirectement, avec les procédures concernées.

Graco Information

For the latest information about Graco products, visit www.graco.com.

For patent information, see www.graco.com/patents.

TO PLACE AN ORDER, contact your Graco distributor or call 1-800-690-2894 to identify the nearest distributor.

All written and visual data contained in this document reflects the latest product information available at the time of publication. Graco reserves the right to make changes at any time without notice.

Original instructions. This manual contains English. MM 3A6746

Graco Headquarters: Minneapolis

International Offices: Belgium, China, Japan, Korea

GRACO INC. AND SUBSIDIARIES • P.O. BOX 1441 • MINNEAPOLIS MN 55440-1441 • USA
Copyright 2019, Graco Inc. All Graco manufacturing locations are registered to ISO 9001.

www.graco.com
Revision D, December 2021