



# Replacement Kits for Magnum

Project Painter Plus, X5, X7

Repair kits to support Project Painter Plus, X5 and X7 sprayers.



## Important Safety Instructions

For detailed sprayer information and warnings, see the Owners Manual included with your sprayer.



[graco.com/contact](https://graco.com/contact)


# CONTENTS

---

<b>Safety Symbols</b>	<b>3</b>
<b>Warnings</b>	<b>4</b>
<b>Kits</b>	<b>5</b>
<b>Pressure Relief Procedure</b>	<b>6</b>
<b>Repair</b>	<b>7</b>
<b>Front Cover and Enclosure Replacement</b>	<b>7</b>
<b>Control Board Replacement</b>	<b>7</b>
<b>Motor Replacement</b>	<b>8</b>
<b>Pressure Control Replacement</b>	<b>8</b>
<b>Prime/Spray Valve and Handle Replacement</b>	<b>9</b>
<b>Pump Outlet Valve Replacement</b>	<b>10</b>
<b>Pump Inlet Valve Replacement</b>	<b>10</b>
<b>Pump Assembly/ Gear Drive Replacement</b>	<b>11</b>
<b>Leg X5 Replacement</b>	<b>12</b>
Disassembly	12
Assembly	12
<b>Assembly Verification</b>	<b>13</b>
<b>Kit Parts</b>	<b>14</b>
<b>Electrical Schematic</b>	<b>22</b>
<b>California Proposition 65</b>	<b>23</b>

# SAFETY SYMBOLS

The following safety symbols appear throughout this manual and on warning labels. Read the table below to understand what each symbol means.

SYMBOL	MEANING
	Electric Shock Hazard
	Moving Parts Hazard
	Skin Injection Hazard
	Skin Injection Hazard
	Splatter Hazard
	Do Not Place Hands or Other Body Parts Near Fluid Outlet

SYMBOL	MEANING
	Do Not Stop Leaks with Hand, Body, Glove or Rag
	Follow Pressure Relief Procedure
	Ground Equipment
	Read Manual
	Wear Personal Protective Equipment



## Safety Alert Symbol

This symbol indicates: Attention! Become Alert! Look for this symbol throughout the manual to indicate important safety messages.

# WARNINGS

The following warnings apply throughout this manual. Read, understand, and follow the warnings before using this equipment. Failure to follow these warnings can result in serious injury.

## WARNING



### SKIN INJECTION HAZARD

High-pressure spray is able to inject toxins into the body and cause serious injury that can result in amputation. In the event that injection occurs, **get immediate surgical treatment.**



- Do not aim the gun at, or spray, any person or animal.
- Keep hands and other body parts away from the discharge. For example, do not try to stop leaks with any part of the body.
- Always use the spray tip guard. Do not spray without spray tip guard in place.
- Use Graco spray tips.
- Use caution when cleaning and changing spray tips. In the case where the spray tip clogs while spraying, follow the **Pressure Relief Procedure** for turning off the unit and relieving the pressure before removing the spray tip to clean.
- Equipment maintains pressure after power is turned off. Do not leave the equipment energized or under pressure while unattended. Follow the **Pressure Relief Procedure** when the equipment is unattended or not in use, and before servicing, cleaning, or removing parts.
- Check hoses and parts for signs of damage. Replace any damaged hoses or parts.
- This system is capable of producing 3000 psi (207 bar, 20.7 MPa). Use Graco parts or accessories that are rated a minimum of 3000 psi (207 bar, 20.7 MPa).
- Always engage the trigger lock when not spraying. Verify the trigger lock is functioning properly.
- Verify that all connections are secure before operating the unit.
- Know how to stop the unit and bleed pressure quickly. Be thoroughly familiar with the controls.



### ELECTRIC SHOCK HAZARD

This equipment must be grounded. Improper grounding, setup, or usage of the system can cause electric shock.



- Turn off and disconnect power cord before servicing equipment.
- Connect only to grounded electrical outlets.
- Use only 3-wire extension cords.
- Ensure ground prongs are intact on power and extension cords.
- Do not expose to rain. Store indoors.
- Only use an authorized service center to replace a damaged power cord.

# K I T S

---







<b>KIT NO.</b>	<b>KIT DESCRIPTION</b>
17K541, 17K542	Enclosure Replacement Kits
17L104	Control Board Replacement Kit
17L282	Motor Replacement Kit
17V782	Pressure Control Replacement Kit
17V783	Prime/Spray Valve and Handle Replacement Kit
16E845	Pump Outlet Valve Replacement Kit
16E844	Pump Inlet Valve Replacement Kit
17V781	Pump Assembly Replacement Kit

# PRESSURE RELIEF PROCEDURE

Relieve pressure on the equipment when operation is stopped, and before cleaning, checking, or servicing the equipment.



Follow the Pressure Relief Procedure whenever you see this symbol.

 <b>WARNING</b>				
				
<p>This equipment stays pressurized until pressure is manually relieved. To help prevent serious injury from pressurized fluid, such as skin injection, splashing fluid and moving parts, follow the Pressure Relief Procedure when you stop spraying and before cleaning, checking, or servicing equipment.</p>				

Before servicing the sprayer, pump pressure must be relieved.

1. Turn ON/OFF switch to the **OFF** position.
2. Engage the trigger lock. Always engage the trigger lock when sprayer is stopped to prevent the gun from being triggered accidentally.
3. Turn pressure control to lowest setting.
4. Put drain tube into a pail and lift Prime/Spray Valve in PRIME position to relieve pressure.
5. Hold the gun firmly to a pail. Point gun into pail. Disengage the trigger lock and trigger the gun to relieve pressure.
6. Engage the trigger lock.

# REPAIR

When replacing parts, follow the instructions to restore the components on the equipment.

## FRONT COVER AND ENCLOSURE REPLACEMENT

Before servicing the sprayer, the enclosure and front cover may need to be removed.

### REMOVAL

1. Unplug power cord (22) and perform **Pressure Relief Procedure**.
2. Remove front cover screws (16a) (T-30 Torx).
3. **X7 only:** Remove underside shroud screw (10d).
4. Remove enclosure screws (10b) (T-20 Torx), and remove right shroud (10).
5. If replacing the enclosure, disconnect all wire leads and connectors from control board (13) and ON/OFF switch. Remove screw (13a) from control board bracket to remove control board assembly (13) from left shroud (10).
6. Remove left shroud (10) and front cover (16).

### REPLACEMENT

1. Install power cord (22) into recess on left shroud (10).
2. Install control board assembly (13) to left shroud (10) using screw (13a).
3. Reconnect all wire leads and connectors to control board (13) and ON/OFF switch. See **Electrical Schematic**.

#### NOTICE

Do not pinch wires between enclosure, front cover, motor, and pump/drive assembly.

4. Assemble front cover (16) and enclosure (10).
5. Install enclosure thread-forming screws (10b) (T-20 Torx). Torque to 20–25 in-lb (2.3–2.8 N·m).
6. **X7 only:** Install underside shroud screw (10d). Torque to 25–35 in-lb (2.8–4 N·m).

7. Install front cover screws (16a) (T-30 Torx). Torque to 36–42 in-lb (4.1–4.7 N·m).

8. Perform **Assembly Verification**.

## CONTROL BOARD REPLACEMENT

To replace the control board, first disassemble the enclosure. See **Front Cover and Enclosure Replacement**.

1. Remove control board mounting screw (13a) and control board (13) from left side shroud (9).
2. If needed, assemble replacement control board into bracket.
3. Install control board assembly (13) to left side shroud (9) with mounting screw (13a). Torque to 12–16 in-lb (1.4–1.8 N·m).
4. Install front cover and enclosure. See **Front Cover and Enclosure Replacement**.
5. After assembly is complete, perform **Assembly Verification**.

## MOTOR REPLACEMENT

To replace the motor, you must first disassemble the enclosure. See **Front Cover and Enclosure Replacement**.

1. Disconnect motor leads from control board (13) and power cord (22).
2. Remove fan cover by gently prying adjacent to its narrow retention bars with a flat blade screwdriver.

### NOTE:

Prying on the bars themselves can cause damage.

3. Remove two motor screws (T-20 Torx). Pull motor (5) from the pump/drive assembly. Be careful not to damage the cooling fan.
4. Assemble replacement motor (5) to the drive (2) with the black wire lead on the pressure control (8) side of the sprayer. Install two motor thread-forming screws (T-20 Torx). Torque to 26–32 in-lb (2.9–3.6 N·m).
5. Route the motor leads through the ports in the fan cover. Snap the cover onto the motor (5).
6. Install front cover and enclosure. See **Front Cover and Enclosure Replacement**.
7. After assembly is complete, perform **Assembly Verification**.

## PRESSURE CONTROL REPLACEMENT

To replace the pressure control, first disassemble the enclosure. See **Front Cover and Enclosure Replacement**.

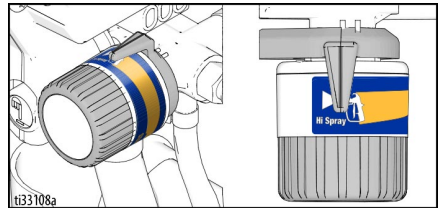
1. Disconnect pressure control wire harness from control board connector. Take note of wire routing; new pressure control wires will be rerouted the same way.
2. Release tab underneath function indicator (31) and remove indicator.

3. Turn pressure control knob (8) fully counterclockwise to expose wrench flats. Remove pressure control. Verify the o-ring seal has been removed from the pump.

### NOTICE

Do not pinch wires between enclosure, front cover, motor, and pump/drive assembly.

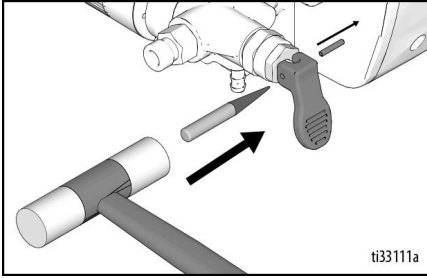
4. Examine new pressure control (8) to verify o-ring seal is in place. If o-ring seal is not installed on pressure control, install seal.
5. Apply one or two drops of thread locking adhesive to threads of pressure control (8). Assemble pressure control (8) into pump (1). Torque to 140–160 in-lb (15.8–18.1 N·m).
6. Route pressure control wire harness through function indicator (31) and front cover (16). Install indicator (31) on pump (1) and snap together. Align indicator and front cover while they are positioned loosely on pump. Connect wire harness to control board connector.
7. Install front cover and enclosure. See **Front Cover and Enclosure Replacement**.
8. Turn pressure control knob (8) clockwise as far as it will go. Apply pressure control label (8b) to knob. When properly positioned the function indicator (31) and Hi Spray position on pressure control label (8b) are aligned.



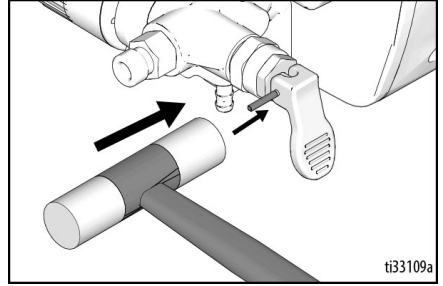
9. After assembly is complete, perform **Assembly Verification**.

**PRIME / SPRAY VALVE  
AND HANDLE  
REPLACEMENT**

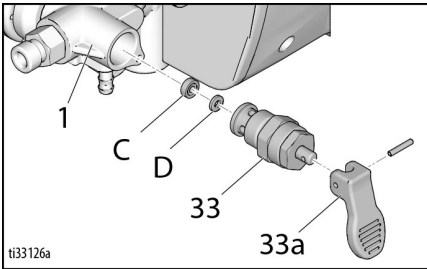
1. Unplug power cord (22) and perform **Pressure Relief Procedure**.
2. Lower Prime/Spray Valve to **SPRAY** position.
3. Remove pin (33b) with pin punch and hammer.



8. Install pin (33b) through aligned holes. Tap pin through with hammer. End of pin will be flush with top of hole in Prime/Spray Valve handle when correctly installed.



4. Remove Prime/Spray Valve handle (33a).
5. Remove valve stem assembly (33) from pump housing (1). Be sure gasket (C) and seat (D) do not stay in pump housing (1).

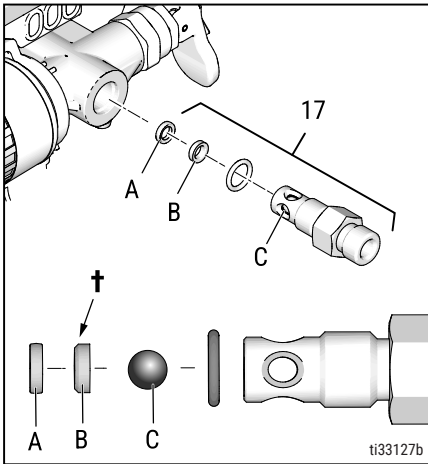


6. Apply sealant to threads of new valve stem assembly (33). Install valve assembly in pump housing. Torque 220–250 in-lb (24.9–28.2 N·m).
7. Insert end of pin punch through hole in Prime/Spray Valve handle and valve stem to align.

9. After assembly is complete, perform **Assembly Verification**.

## PUMP OUTLET VALVE REPLACEMENT

1. Unplug power cord (22) and perform **Pressure Relief Procedure**.
2. Remove outlet valve (17) from pump housing (1).
3. Clean all dried residue from around outlet area in pump housing (1).
4. Verify gasket (A) is still pressed into outlet valve with chamfered edge of seat (B) away from the ball (C).
5. Install new spring (29c) over ball stop pin in pump inlet.
6. Install ball (29a).
7. Thread new inlet valve fitting (29) into pump housing (1). Torque to 200–240 in-lb (22.6–27.1 N·m).
8. Attach suction tube (37) and drain line (36).
9. After assembly is complete, perform **Assembly Verification**.



† Chamfered Edge

5. Thread new outlet valve (17) into pump housing (1). Torque to 290 - 310 in-lb (32.8 - 35.0 N·m).
6. After assembly is complete, perform **Assembly Verification**.

## PUMP INLET VALVE REPLACEMENT

1. Unplug power cord (22) and perform **Pressure Relief Procedure**.
2. Remove suction tube (37) and drain line (36) from pump inlet valve (29).
3. Remove inlet valve fitting (29), ball (29a), and spring (29c) from pump housing (1).
4. Clean all dried residue from around inlet area in pump housing (1).

## PUMP ASSEMBLY / GEAR DRIVE REPLACEMENT

To replace the pump assembly, first disassemble the enclosure. See **Front Cover and Enclosure Replacement**.

1. Remove suction hose and drain tube from pump (1).
2. Loosen screw (22a) retaining the green ground wire to the black of the drive (2) and remove the ground wire.
3. Remove the motor fan cover by gently prying adjacent to its narrow retention bars with a flat blade screwdriver.

### NOTICE

Prying on the bars themselves can cause damage.

4. Remove two motor screws (T-20 Torx). Pull motor (5) from the pump/drive assembly. Be careful not to damage the cooling fan.
5. Remove gear cover (18). Remove the two screws (4) at the bottom of the pump/drive assembly then remove the pump/drive assembly.
6. Place the pump/drive assembly in a vise with the jaws clamping on the flat sides at the bottom of the pump (1).
7. Open the latch at the bottom of the setting indicator (31) and remove it from the pressure control (8).
8. Remove the two screws (4) holding the drive (2) to the pump (1), then rotate the drive bracket approximately 90°.
9. Pull the drive assembly (2) and pump piston from the pump (1). If necessary, tap on the shorter leg of the drive with a plastic hammer to separate the parts.

### NOTICE

Prying between the pump and the drive can damage the drive and lead to failure of equipment.

10. Verify that a small amount of grease has been applied to the drive pocket in the pump piston in the replacement pump (1).

11. Rotate the drive gear to bring the stud towards the pump, then insert the stud into the piston pocket. Align the drive shaft with the pump bushing, then push the drive into the pump, rotating the gear to draw the drive inward. Press the drive and pump fully together. If necessary, tap on the bottom of the drive with a plastic hammer to seat the piston in the pump.
12. Install two thread-forming screws (4) at the top of the drive (2). Torque to 80–90 in-lb (9–10.2 N·m).
13. Assemble motor (5) to the drive (2) with the black wire lead on the pressure control (8) side of the sprayer. Install two thread-forming motor screws (T-20 Torx). Torque to 26–32 in-lb (2.9–3.6 N·m).
14. Route the motor leads through the ports in the motor fan cover. Snap the cover into the motor (5).
15. Replace foam pad on motor bracket (6).
16. Place the pump/drive/motor assembly on the motor bracket (6), then install the two thread-forming screws (4) at the bottom of the drive (2). Torque to 80–90 in-lb (9–10.2 N·m).
17. Reassemble gear cover (18).
18. Route the pressure control wire harness through the setting indicator (31). Install the indicator around the pressure control (8) and snap together. Pass the wire harness through the front cover (16), aligning the indicator with the opening in front cover as the front cover is positioned loosely on the pump.
19. Attach green ground wire to back of the drive assembly (2) using screw (22a). Torque to 25–35 in-lb (2.8–4 N·m).
20. Replace the suction and drain hoses on the pump (1) and secure with their clamps.
21. Install front cover and enclosure. See **Front Cover and Enclosure Replacement**.
22. After assembly is complete, perform **Assembly Verification**.

## LEG X5 REPLACEMENT

### DISASSEMBLY

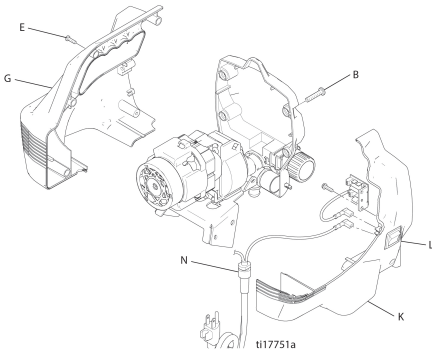
#### REMOVE SHROUD

1. Unplug electrical cord and perform **Pressure Relief Procedure**.
2. Remove side shroud screws (E) (T-20 Torx).

**NOTE:**

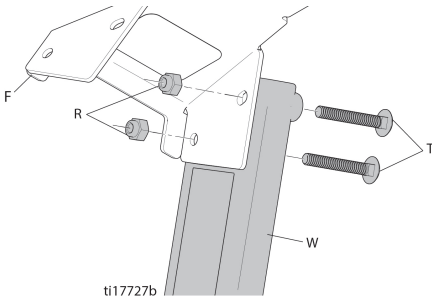
Number of side shroud screws may vary from image shown in step 6.

3. Remove four front cover screws (B) (T-20 Torx).
4. Remove right shroud (G).
5. Remove left shroud (K).
6. Remove ON/OFF (L) switch from left shroud (K).



#### FOR PLASTIC LEGS:

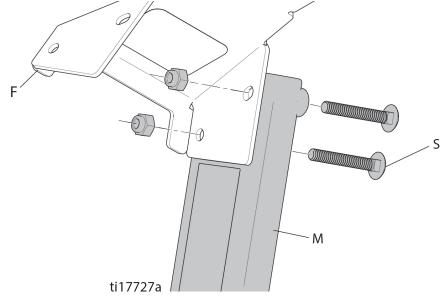
1. Remove nuts (R) and bolts (T).
2. Remove leg (W) from frame (F).



## ASSEMBLY

### INSTALL LEG

1. Slide leg (M) onto sprayer frame (F).
2. Install carriage head bolts and hex nuts (S) and torque to 26–32 in-lb (2.9–3.6 N·m).

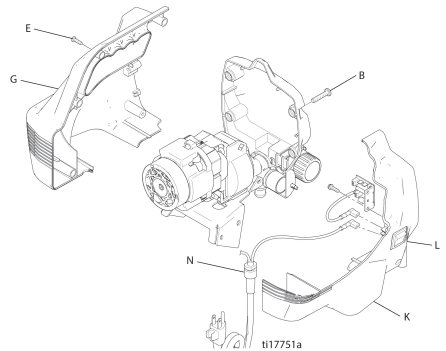


**NOTICE**

Do not overtighten. Plastic will become stripped and sprayer will be damaged.

### REPLACE SHROUD

1. Install ON/OFF (L) switch into left shroud (K).
2. Install power cord (N) into recess on left shroud (K).
3. Reassemble both shrouds (G and K).
4. Install side shroud screws (E) (T-20 Torx). Torque to 20–25 in-lb (2.3–2.8 N·m).
5. Install four cover screws (B) (T-30 Torx). Torque 26–32 in-lb (2.9–3.6 N·m).



## ASSEMBLY VERIFICATION

After assembly is complete, perform the following steps to verify proper operation. If sprayer fails one of the steps, repeat sprayer repair procedures.

1. Visually inspect for gaps between enclosure halves. A gap larger than 1/32 in. (0.8 mm) may be caused by a pinched wire or an internal component not seated properly. If disassembly and inspection indicate that no wire has been pinched and all internal components are seated properly, carefully reassemble and repeat verification steps.
2. Lift and lower Prime/Spray Valve to make sure the valve lifts up to the PRIME position and lowers down to the SPRAY position.
3. Turn pressure control knob to verify it rotates.
4. Using water, verify sprayer primes and sprays. Follow instructions in your sprayer Operation Manual for proper setup, priming, and spraying procedures.

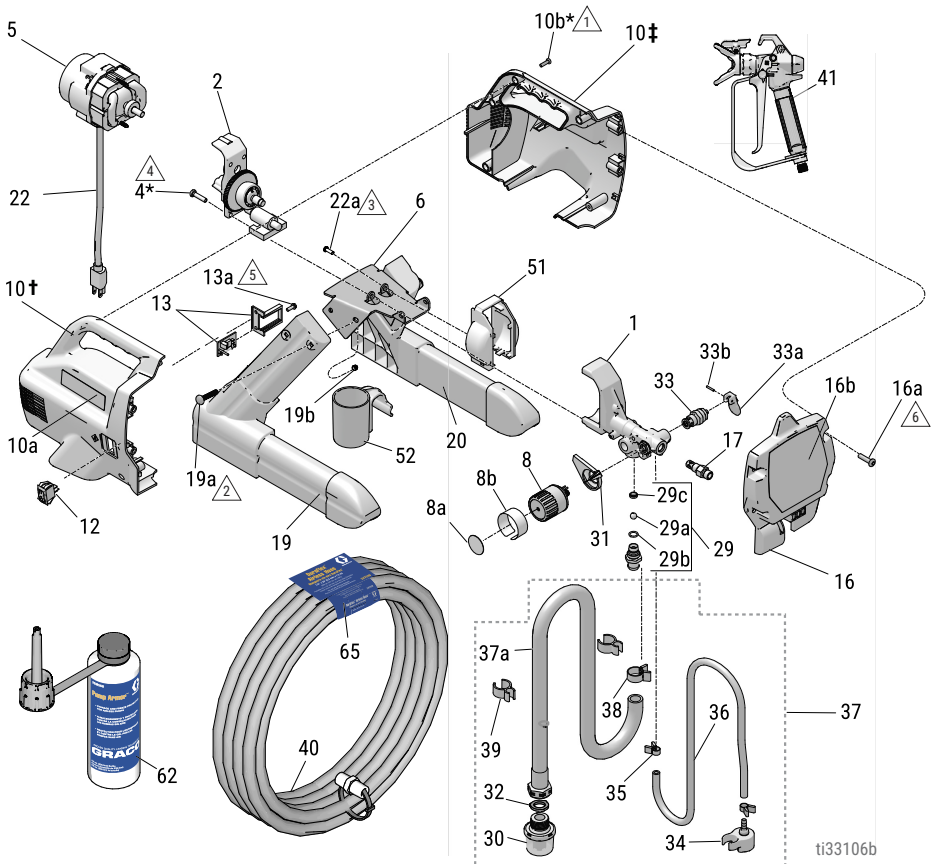


KIT PARTS

REF.	PART	DESCRIPTION	QTY.
16	24D617	KIT, front cover, <i>includes 16a</i>	1
16a	120724	SCREW	4
17	16E845	KIT, outlet valve	1
29	16E844	KIT, inlet valve, <i>includes 29a, 29b, 29c</i>	1
29a		BALL, intake	1
29b		O-RING	1
29c		SPRING, inlet	1
30	288716	KIT, strainer	1
34	244035	DEFLECTOR, barbed	1
37	24V074	KIT, tube, suction, <i>includes 30, 34, 61</i>	1
40	247339	HOSE, 1/4 in. x 25 ft	1
41	243011	GUN, spray, SG2	1
60	2014334	GUIDE, Magnum quick guide, English and Spanish (not shown)	1
61	115648	VALVE, power flush (not shown)	1
62	243104	KIT, Pump Armor, 8 oz	1
63 ▲	179960	CARD, wallet, medical alert (not shown)	1
65 ▲	15G026	TAG, warning, hose	1
66 ▲	17K627	LABEL, warning, cord	1

▲ *Replacement safety labels, tags, and cards are available at no cost.*





X5 PARTS



ti33106b

\* Thread-forming screws

Figure 6-2: X5 Parts Diagram

- |  |                           |   |                            |
|--|---------------------------|---|----------------------------|
|  1 | 20–25 in-lb (2.3–2.8 N·m) |  4 | 80–90 in-lb (9.0–10.0 N·m) |
|  2 | 26–32 in-lb (2.9–3.6 N·m) |  5 | 12–16 in-lb (1.4–1.8 N·m)  |
|  3 | 25–35 in-lb (2.8–4.0 N·m) |  6 | 36–42 in-lb (4.0–4.7 N·m)  |

KIT PARTS

REF.	PART	DESCRIPTION	QTY.
1		KIT, pump, <i>includes 4, 8, 17, 29, 33</i>	1
	17V781	Series E	
	2015307	Series F	
2	16E835	DRIVE	1
4	112689	SCREW, button, thd form	4
5	17L282	KIT, motor	1
6	16D682	BRACKET, motor	1
8	17V782	KIT, pressure control, <i>includes 8a, 8b</i>	1
8a		LABEL, control	1
8b		LABEL, control	1
10		KIT, enclosure, X5, <i>includes 10a, 10b, 16a</i>	1
	17K541	Series E	
	2015862	Series F	
10a		LABEL, A+ service	1
10b		SCREW, mach, torx, pan hd	4
12	24Y329	SWITCH, rocker, spdt	1
13	17L104	KIT, control board, <i>includes 13a</i>	1
13a		SCREW, mach, torx	1
16		KIT, housing cover, <i>includes 16a, 16b</i>	1
	17L085	Series E	
	2015861	Series F	
16a		SCREW	4
16b		LABEL, front, X5	1
17	16E845	KIT, outlet valve	1

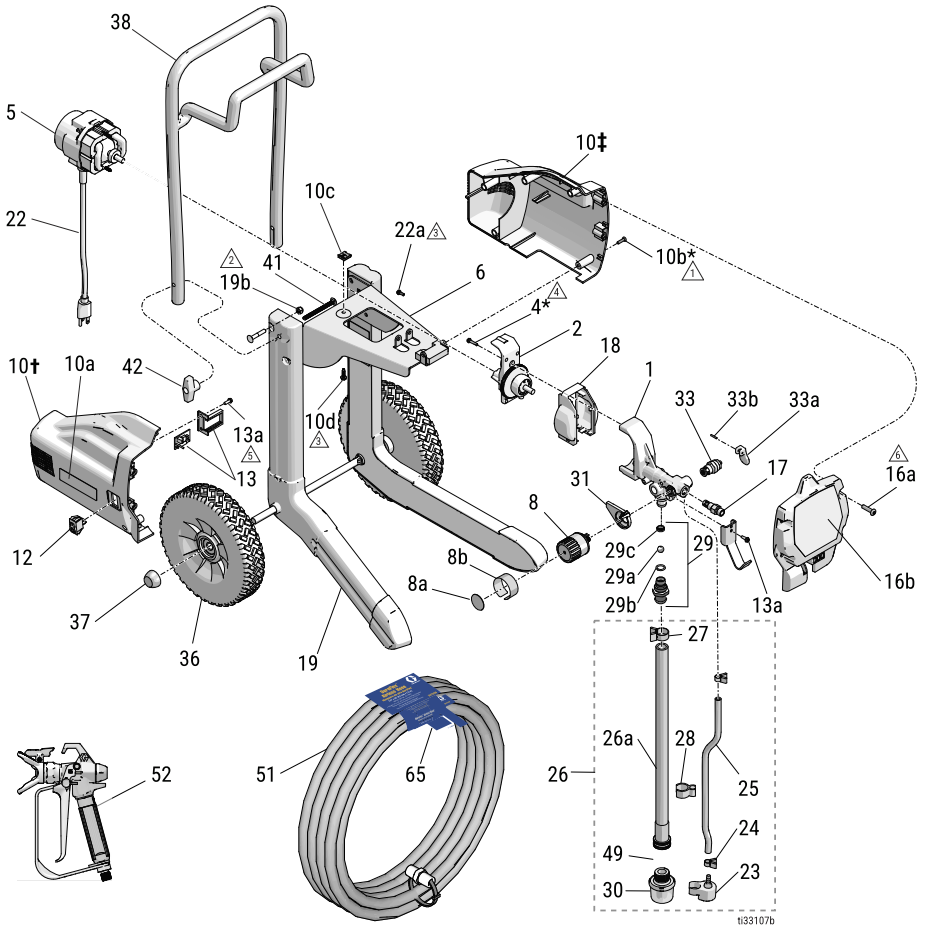
REF.	PART	DESCRIPTION	QTY.
18	16W319	COVER, gear	1
19	24K632	KIT, leg, stand, <i>includes 4 screws, 19a, 19b</i>	1
19a		BOLT, carriage	8
19b		NUT, lock, hex	8
22	16E842	KIT, power cord, X5, <i>includes 22a, 22b</i>	1
22a		SCREW, grounding	1
22b ▲	17K627	LABEL, Magnum, warning (not shown)	1
29	16E844	KIT, pump, inlet valve, <i>includes 29a, 29b, 29c</i>	1
29a		BALL, intake	1
29b		O-RING	1
29c		SPRING, inlet	1
30	288716	KIT, strainer, X5	1
31	15Y296	COVER, wire	1
32	115099	WASHER, hose	1
33	17V783	KIT, drain valve, <i>includes 33a, 33b</i>	1
33a		HANDLE, valve, drain	1
33b		PIN, grooved	1
34	244035	DEFLECTOR, barbed	1
35	115489	CLAMP, drain tube	2
36	195084	TUBE, drain	1
37	24V074	KIT, tube, suction, <i>includes 30, 32, 34, 35, 36, 37a, 38, 39, 61</i>	1
37a	197607	TUBE, suction, <i>includes 32</i>	1
38	116295	CLAMP, tube	1

KIT PARTS

REF.	PART	DESCRIPTION	QTY.
39	195400	CLIP, spring	2
40	247339	HOSE, cpld, 1/4 in. x 35 ft	1
41		GUN, spray, SG2	1
	243011	Model 262800	
	257359	Model 17K437	
52	17H422	CUP, inlet drip	1
60	2014334	GUIDE, Magnum quick guide, English and Spanish (not shown)	1
61	115648	VALVE, power flush (not shown)	1
62	243104	KIT, Pump Armor 8 oz	1
63 ▲	179960	CARD, medical wallet (not shown)	1
64	17Y794	TAG, hang, tip (not shown)	1
65 ▲	15G026	TA, warning, hose	1

▲ *Replacement safety labels, tags, and cards are available at no cost.*

X7 PARTS



\* Thread-forming screws

Figure 6-3: X7 Parts Diagram

- |  |   |
|--|---|
| <p>1 20–25 in-lb (2.3–2.8 N·m)</p> <p>2 45–55 in-lb (5.0–6.2 N·m)</p> <p>3 25–35 in-lb (2.8–4.0 N·m)</p> | <p>4 80–90 in-lb (9.0–10.0 N·m)</p> <p>5 12–16 in-lb (1.4–1.8 N·m)</p> <p>6 36–42 in-lb (4.0–4.7 N·m)</p> |
|--|---|

KIT PARTS

REF.	PART	DESCRIPTION	QTY.
1		KIT, pump, <i>includes 4, 8, 17, 29, 33, 48</i>	1
	17V781	Series D	
	2015307	Series E	
2	16E835	KIT, drive	1
4	112689	SCREW, button, thd form	4
5	17L282	KIT, motor	1
6	16D683	BRACKET, motor	1
8	17V782	KIT, pressure control, <i>includes 8a, 8b</i>	1
8a		LABEL, control	1
8b		LABEL, control	1
10		KIT, enclosure, X7, <i>includes 10a, 10b, 10c, 10d, 16a</i>	1
	17K542	Series D	
	2015863	Series E	
10a		LABEL, A+ service	1
10b		SCREW, mach, torx, pan hd	4
10c		NUT, U-type, tinnerman	1
10d		SCREW, self drilling	1
12	24Y329	SWITCH, rocker, spdt	1
13	17L104	KIT, control board, <i>includes 13a</i>	1
13a		SCREW, mach, torx	3
16		KIT, housing cover, <i>includes 16a, 16b</i>	1
	17L085	Series D	
	2015861	Series E	

REF.	PART	DESCRIPTION	QTY.
16a		SCREW	4
16b		LABEL, front, X7	1
17	16E845	KIT, outlet valve	1
18	16W319	COVER, gear	1
19	17L088	KIT, leg, cart, <i>includes 19a (qty. 4), 19b (qty. 4)</i>	1
19a		BOLT, carriage	8
19b		NUT, loc, hex	8
22	16E842	KIT, power cord, X7, <i>includes 22a, 22b</i>	1
22a		SCREW, grounding	1
22b ▲	17K627	LABEL, Magnum, warning (not shown)	1
23	244035	DEFLECTOR, barbed	1
24	115489	CLAMP, drain tube	2
25	195108	TUBE, drain	1
26	24V073	KIT, suction tube, <i>includes 23, 24, 25, 26a, 27, 28, 30, 49, 61</i>	1
26a	16H348	TUBE, suction, X7, <i>includes 49</i>	1
27	116295	CLAMP, tube	1
28	195400	CLIP, spring	2
29	16E844	KIT, pump, inlet valve, <i>includes 29a, 29b, 29c</i>	1
29a		BALL, intake	1
29b		O-RING	1
29c		SPRING, inlet	1
30	288716	KIT, strainer, X7	1
31	15Y296	COVER, wire	1

KIT PARTS

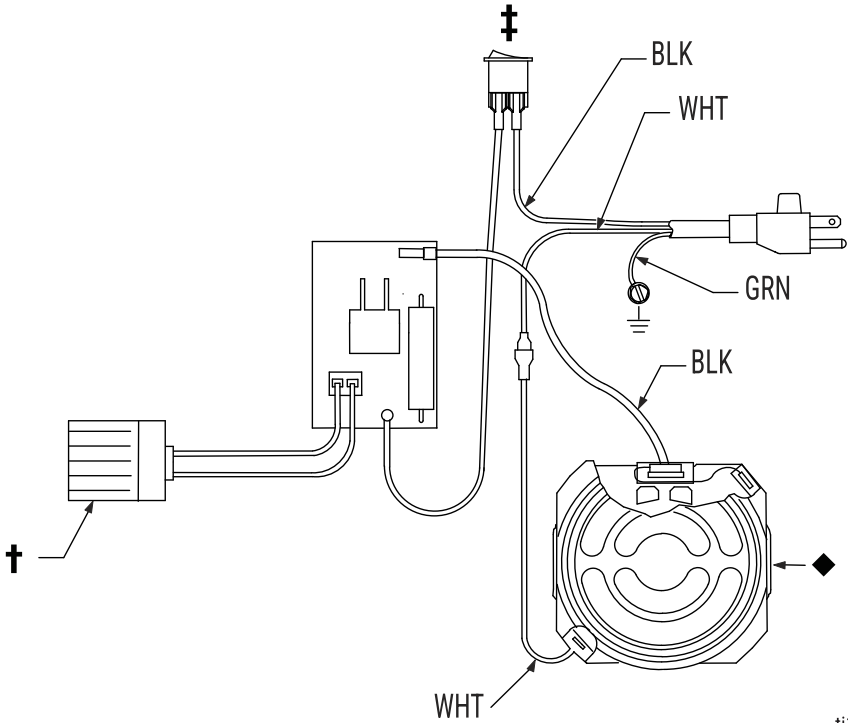
REF.	PART	DESCRIPTION	QTY.
33	17V783	KIT, drain valve, <i>includes 33a, 33b</i>	1
33a		HANDLE, valve, drain	1
33b		PIN, grooved	1
35	15R602	AXLE, cart	1
36	115095	WHEEL, 9 in.	2
37	112612	CAP, hub	2
38	2012496	HANDLE, cart	1
41	120788	SCREW, carriage	2
42	115480	KNOB, t-handle	2
43	16D907	HANGER, pail	1
49	115099	WASHER, hose	1
51	247339	HOSE, cpld, 1/4 in. x 25 ft	1
52	243011	GUN, spray, SG2	1
60	2014334	GUIDE, Magnum quick guide, English and Spanish (not shown)	1
61	115648	VALVE, power flush (not shown)	1
62	243104	KIT, Pump Armor 8 oz	1
63 ▲	179960	CARD, medical wallet (not shown)	1
64	17Y794	TA, hang, tip (not shown)	1
65 ▲	15G026	TAG, warning, hose	1

▲ *Replacement safety labels, tags, and cards  
are available at no cost.*

# ELECTRICAL SCHEMATIC

The wiring diagram illustrates the electronic connections that are useful for troubleshooting and repairing the electrical components of the equipment.

**ALL MODELS**



ti14050b

Figure 7-1: Wiring Diagram for All Models

## KEY

- ⚡ ON/OFF Switch
- † Pressure Switch
- ◆ Motor

Table 7-1: Color Abbreviations

ABBREVIATION	COLOR
BLK	Black
GRN	Green
WHT	White

# CALIFORNIA PROPOSITION 65

---

## CALIFORNIA RESIDENTS



**WARNING** Cancer and reproductive harm – [www.P65warnings.ca.gov](http://www.P65warnings.ca.gov).

**GRACO INC. AND SUBSIDIARIES | P.O. BOX 1441 | MINNEAPOLIS MN 55440-1441 | USA**

Graco Headquarters: Minneapolis, MN USA | International Offices: Australia, Belgium, China, Japan, Korea | Toll Free Phone Number: 1-800-690-2894 (Contractor Division) and 1-800-328-0211 (Industrial Division) | For patent information, see [graco.com/patents](http://graco.com/patents)

©2026 Graco Inc. All written and visual data in this document are based on the latest product information available at the time of publication. Graco reserves the right to make changes at any time without notice. All Graco manufacturing locations maintain ISO 9001:2015 certifications, each certified by accredited certification bodies. Original Instructions. This manual contains English. Revision A, March 2026